



INTRODUCING *mGrip*



ADAPT TO THE CHANGING LANDSCAPE

mGrip is an on-demand, modular gripping system from Soft Robotics. Developed with our award-winning technology, *mGrip* brings infinite robotic grasping solutions to picking challenges that couldn't previously be automated. *mGrip* allows quick tool builds with limitless configurations and spacing options to help get your end-users operating quickly. Each *mGrip* kit comes equipped with the components you need to build, validate and install production-ready systems in minutes. When paired with a Soft Robotics Control Unit, the *mGrip* gripper can cycle 3-4 times per second, keeping up with even the most demanding applications.



ASSEMBLY



PICK & PLACE



PACKAGING

The *mGrip* Kits are a plug-and-play solution optimized for small to medium sized items. With the modular design and included spacers, you can set your gripper to the ideal stroke size.

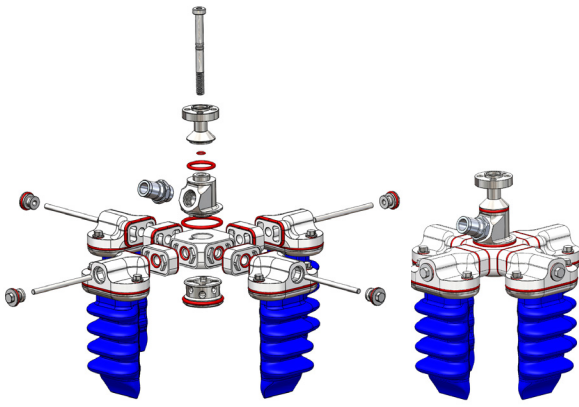
EASY TO BUILD, FAST TO DEPLOY

- Build production-ready grippers in minutes, getting your customers up and running faster than ever before.
- One tool conforms to new and changing productions in real-time, ideal for high-mix environments
- Modular system can be modified and adapted quickly using *mGrip* spacers.

PRODUCTION READY

- Designed to keep up with the speed of any industrial robot when paired with any Soft Robotics Control Unit.
- Durable, factory-validated gripping platform that has withstood billions of cycles in production environments.
- Extra components and quick turnaround time on spare parts limit down time.



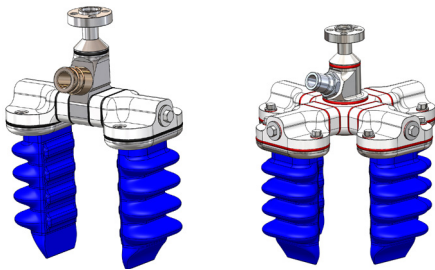
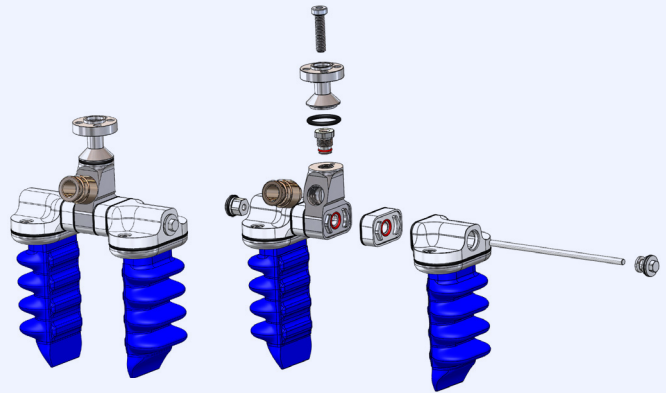


mGrip Circular Kit

- All the components needed to build a circular tool with either 4 or 5 fingers.
- Able to handle a wide range of geometries up to 175mm in diameter.
- Ideal for circular type items.

mGrip Parallel Kit

- All the components needed to build a parallel tool with either 2, 4, or 6 fingers.
- Able to handle a wide range of geometries up to 140mm wide.
- Ideal for rectangular type items.



mGrip Master Kit

- All the components needed to build a circular 4 or 5 finger tool and parallel 2, 4, or 6 finger tool.
- Able to handle a wide range of geometries up to 140mm or 175mm depending on the type of gripper created.
- For both circular and rectangular type items.

mGrip kits are offered in both a Standard (Aluminum) and Food Safe (Stainless Steel) option. Food Safe mGrip kits are compliant with (EC) 1935:2004 and meet the requirements of the United States FDA Codes of Federal Regulation 21 CFR concerning materials intended for repeated food contact.

Robot adapters and Soft Robotics Control Units are configurable at time of order

**WE ARE DRIVING THE
FUTURE OF INDUSTRIAL
MANUFACTURING.**

We believe that it's technology's job to take on the dirty and dangerous jobs. Soft Robotics frees people to do the work that people do best.